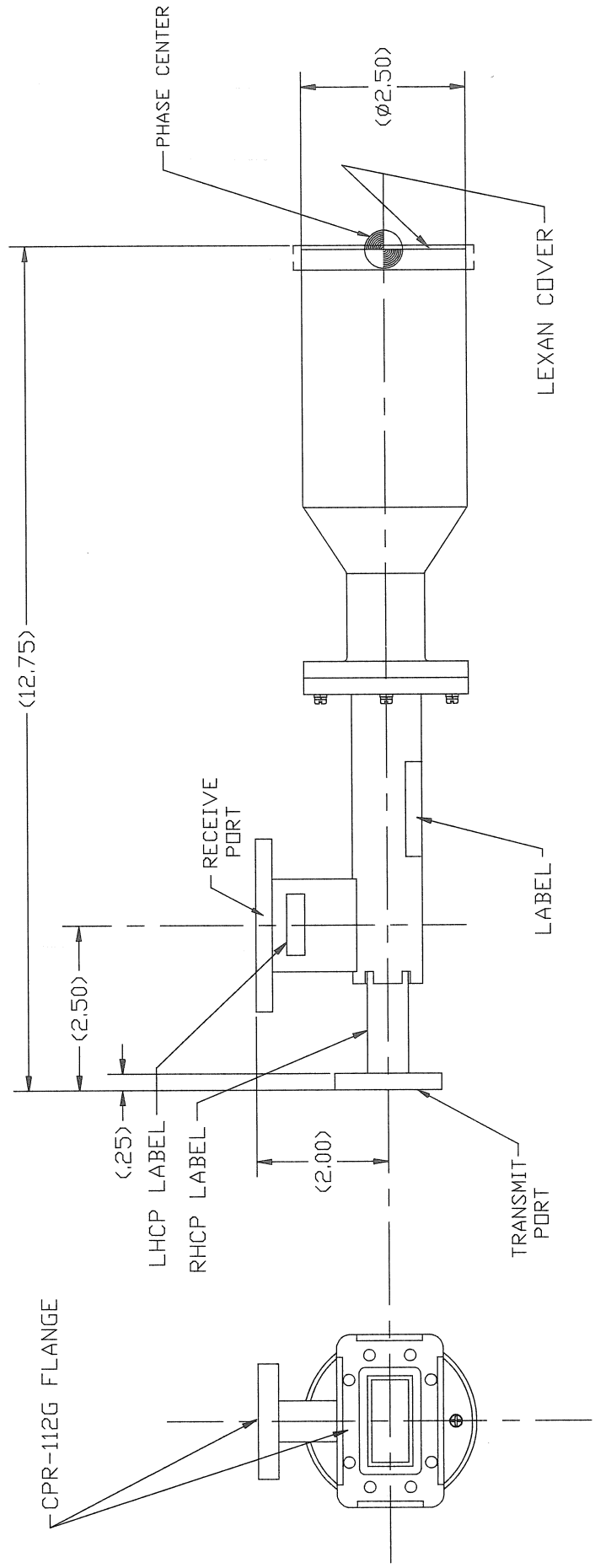


These drawings and specifications are the property of Seavey Engineering Associates, Inc. and shall not be used as the basis of design or manufacture without the expressly written authorization of Seavey Engineering Associates Inc. DO NOT SCALE PRINT

ECN#	REV	DESCRIPTION	DATE	APPROVED
1113	A	ORIGINAL ISSUE	08-08-95	AJS
	B	PRESSURE WAS 1/2 PSIG		
	C	UPDATE TO CURRENT FORMAT	04-04-03	



SPECIFICATIONS:	
FREQUENCY:	7.25-7.75 GHz RECEIVE (LHCP ANTENNA) 7.9-8.4 GHz TRANSMIT (RHCP ANTENNA)
POLARIZATION:	DUAL CIRCULAR
AXIAL RATIO:	2 dB (MAX.)
VSWR:	1.4:1 (MAX.)
ISOLATION:	18 dB (MIN.) Tx TO Rx
POWER HANDLING:	500 WATTS C.W.
PRESSURE SEAL:	1.0 PSIG (MAX.)

SEAVEY ENGINEERING ASSOCIATES, INC.
 FREDERICK, MA. 02569
 DRAWING TITLE: **OSA-77C**

CHROMATE PER MIL-C-5541
 CLASS 1A & WHITE PAINT
MATERIAL

FEED: ALUM
 HARDWARE: SSTEEL
 REMOVE ALL BURRS AND SHARP EDGES
 DO NOT SCALE DRAWING
 WORKMANSHIP SHALL BE IN ACCORDANCE WITH MIL-STD-454A, REPT 9.

UNLESS OTHERWISE SPECIFIED DIMENSIONS ARE IN INCHES

ANGLES	TOLERANCES	LINEAR
±1°	.0135-.250 +.005	X = ±.06
	.251-.500 +.006	XX = ±.02
	.501-1.000 +.010	XXX = ±.010
	1.001-1.000 -.001	

DRAWN: JBB
 DATE: 08-08-95
 CHECKED: []
 DATE: []
 PROJ. ENG: []
 DATE: []
 ENG. DEPT: []
 DATE: []
 MFG. DEPT: []
 DATE: []
 Q.A. DEPT: []
 DATE: []

SCALE: 1 OF 1
 REV: B
 9446-800