

X-Band Low Noise Amplifiers

LXA-7500 Series

Introduction

LXA-7500 series X-Band Low Noise Amplifiers are specially designed for satellite earth station receiver front ends and other telecommunications applications. Utilizing state-of-the-art HEMT and GaAs FET technology, these amplifiers have been designed for both fixed and transportable applications. High performance models are available in several gains, with noise temperatures as low as 45 K. Noise temperature specifications are guaranteed over the full bandwidth of the LNA.

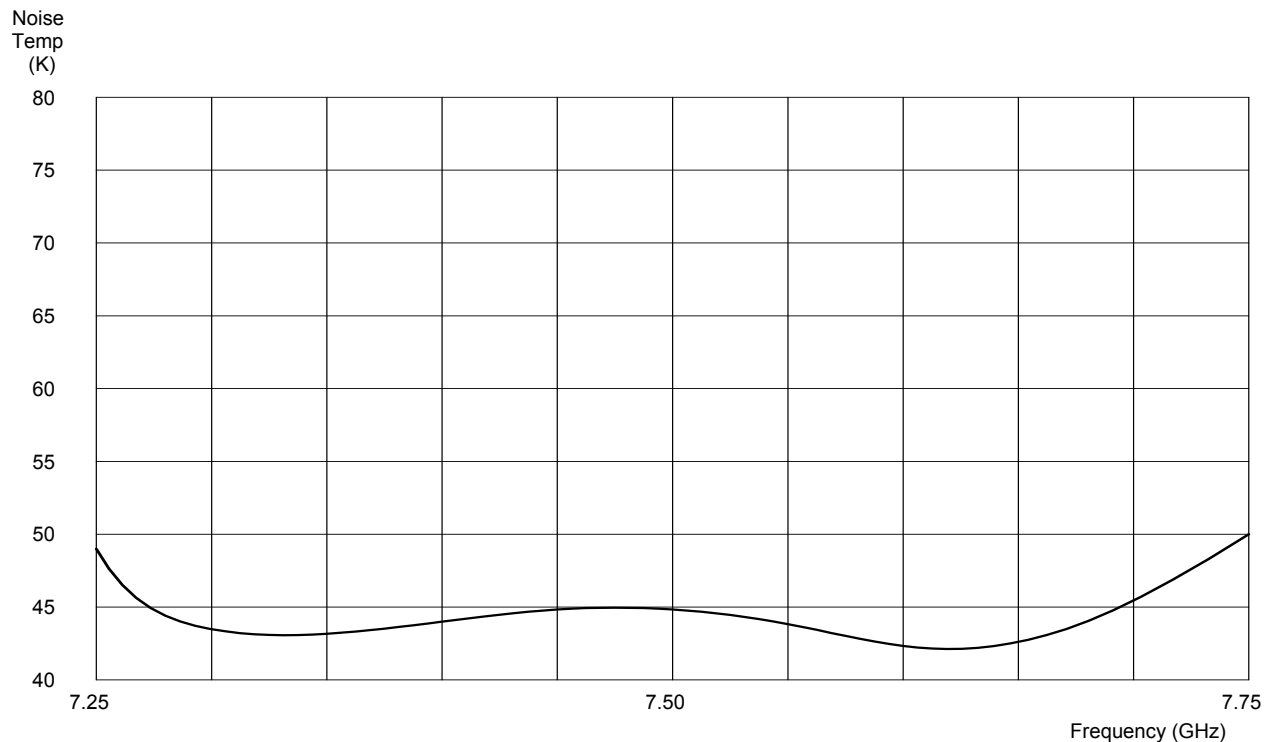
Features

- State-of-the-art noise performance
- HEMT/GaAs FET design
- Weatherproof enclosure
- Internal low-loss input isolator
- Internal regulator
- Reverse polarity protection
- Surge and transient protection
- High reliability
- Form 'C' alarm

Options

- Low gain, 50 dB
- High output power, +20 dBm
- Interstage transmit reject filter

Typical Performance, Model LXA7550



Parameter	Notes	Min.	Nom./Typ. [†]	Max.	Units
Frequency Range		7.25		7.75	GHz
Gain	Standard	60	64		dB
	Option 1	50	54		dB
Gain Flatness	Full band Per 40 MHz			±0.5	dB
				±0.2	dB
VSWR	Input		1.20	1.25	:1
	Output		1.30	1.50	:1
Noise Temperature ^A	At +23 °C Versus temperature		See Table 1 See Table 2		
Power Output at 1 dB compression	Standard	+15	+17		dBm
	Option 2	+20	+21		dBm
3rd Order Output intercept Point	Standard	+25	+27		dBm
	Option 2	+30	+31		dBm
Group Delay per 40 MHz	Linear (Standard)			0.01	ns/MHz
	Parabolic (Standard)			0.001	ns/MHz ²
	Ripple (Standard)			0.1	ns p-p
	Linear (Option 7)			0.05	ns/MHz
AM/PM Conversion	-5 dBm output power			0.05	°/dB
Gain Stability (Constant Temp)	Short term (10 min)			±0.1	dB
	Medium term (24 hrs)			±0.2	dB
	Long term (1 week)			±0.5	dB
Gain Stability versus temperature	Standard		-0.05		dB per °C
	Option 1		-0.04		dB per °C
Maximum Input Power	Damage threshold			0	dBm
	Desens. threshold, Std.			-50	dBm
	Desens. threshold, Opt. 7 ^B			-30	dBm
Connectors	Input		CPR112G Flange		
	Output		Type N Female		
	Power, Standard ^C		MS3112E10-6P (mate supplied)		
Power Requirements	Voltage	11	15	24	V
	Current, Standard		240	270	mA
	Current, Option 2		300	330	mA
Operating Temperature		-40		+60	°C

[†] When there is only one value on a line, the Nom./Typ. column is a nominal value; otherwise it is a typical value. Typical values are intended to illustrate typical performance, but are not guaranteed.

^A Maximum noise temperature at +23 °C at any frequency in the specified band.

^B Desens. threshold for 7.90-8.40 GHz frequency range.

^C power may be supplied either via the RF output connector (cable powered) or via the MS connector.

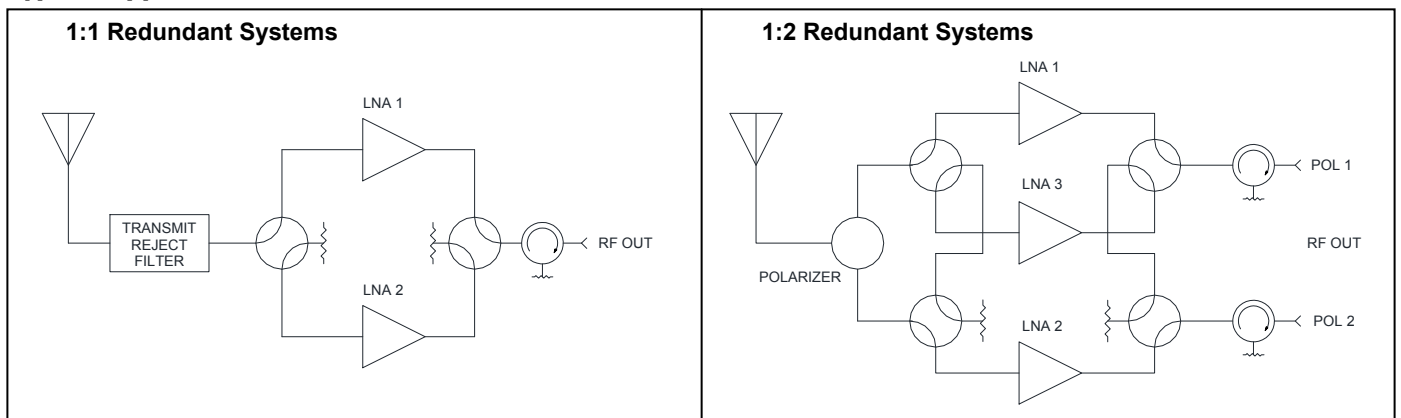
Table 1 – Part Number/Ordering Information

LXA-75 	
Noise Temperature	
65 K	65
60 K	60
55 K	55
50 K	50
45 K *	45
Options	
50 dB gain	/1
+20 dBm output	/2
Interstage transmit reject filter, >15 dB rejection, 7.90-8.40 GHz	/7
* Consult factory for 45 K.	

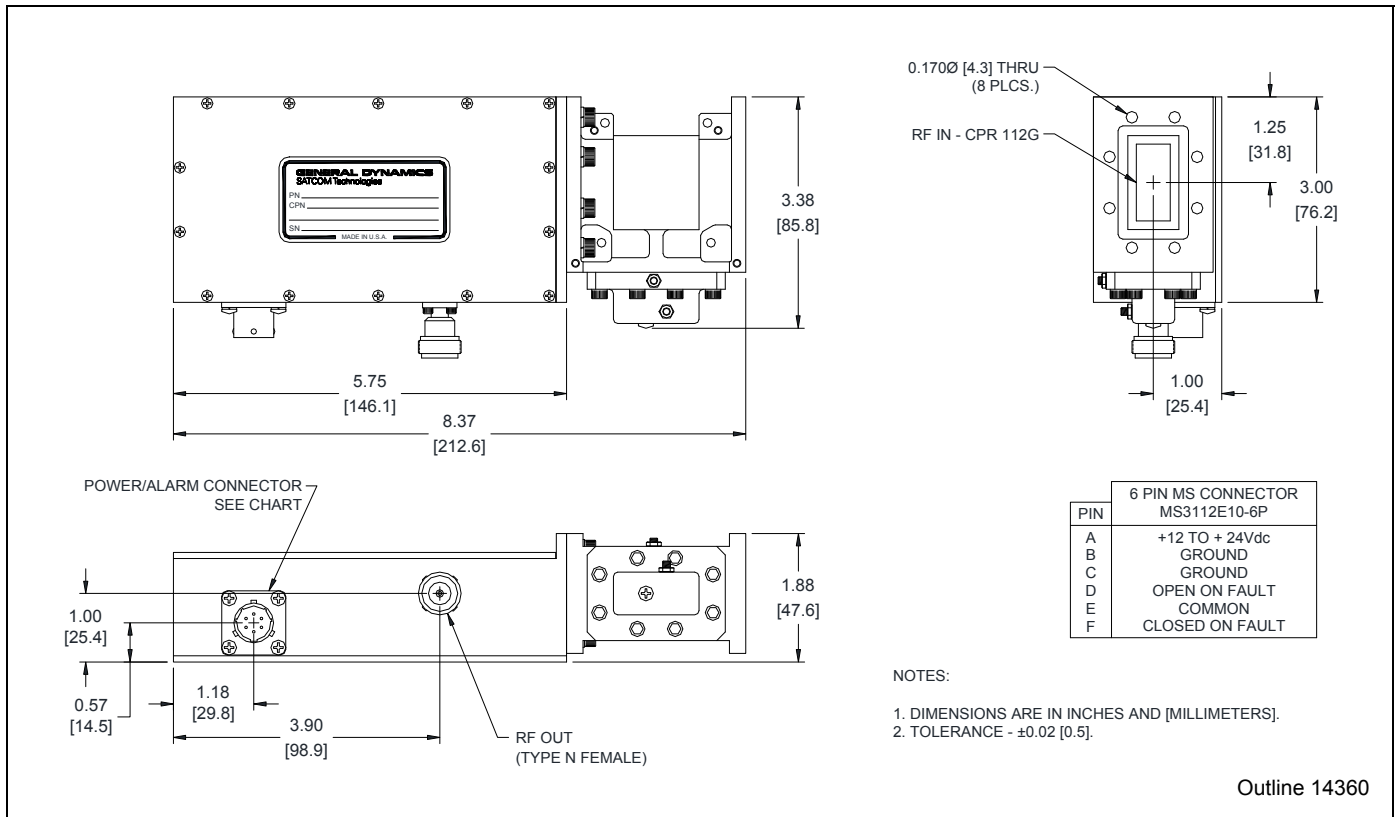
Table 2 – Noise Temperature vs. Ambient Temperature

<p>Noise temperature vs. ambient temperature can be found from the equation,</p> $NT_2/NT_1 = (T_2/T_1)^{1.6}$ <p>where:</p> <ul style="list-style-type: none"> NT₂ = Noise Temperature at T₂ NT₁ = Noise Temperature at T₁ T₂ = Temperature 2 in K T₁ = Temperature 1 in K <p>(K = °C + 273)</p>	<p>For the case where T₁ = 296 K (+23 °C), the ratio NT₂ / NT₁ is shown in the table below:</p> <table border="1" style="margin-left: auto; margin-right: auto;"> <thead> <tr> <th>Ambient Temperature T₂ (°C)</th> <th>Ratio NT₂ / NT₁</th> </tr> </thead> <tbody> <tr> <td>0</td> <td>0.88</td> </tr> <tr> <td>+23</td> <td>1.00</td> </tr> <tr> <td>+40</td> <td>1.09</td> </tr> <tr> <td>+50</td> <td>1.15</td> </tr> <tr> <td>+60</td> <td>1.21</td> </tr> </tbody> </table> <p>Example: For model LXA-7560, NT₁ = 60 K at +23 °C; what is NT₂ at +50 °C? From the table, NT₂ / NT₁ at 50 °C = 1.15: NT₂ = 1.15 x (60 K) = 69 K at 50 °C</p>	Ambient Temperature T ₂ (°C)	Ratio NT ₂ / NT ₁	0	0.88	+23	1.00	+40	1.09	+50	1.15	+60	1.21
Ambient Temperature T ₂ (°C)	Ratio NT ₂ / NT ₁												
0	0.88												
+23	1.00												
+40	1.09												
+50	1.15												
+60	1.21												

Typical Applications



Outline Drawing



Other Products

- Low Noise Amplifiers and LNA Systems
- Solid-State Power Amplifiers and SSPA Systems
- General Purpose Converters
- Satellite Communications Equipment
- Custom Subsystems

GENERAL DYNAMICS SATCOM Technologies

60 Decibel Road, Suite 200 • State College, PA 16801 USA • Tel. 814 238 2700 • FAX 814 238 6589
Web Site: www.gdsatcom.com/electronics.php

14368 Rev. C ECR 7833 1/23/07 DRS

© General Dynamics. All rights reserved. General Dynamics reserves the right to make changes to its products and specifications at any time and without notice. All trademarks indicated as such herein are trademarks of General Dynamics. All other product and service names are the property of their respective owners.